

SPECIFICATIONS

MAINLINE®
Elite Series



PM211SS

Features

- 1.0 gpm (3.8 L/min) Max Flow @ 60 psi
- 3.6" (91mm) Spout Height, 6.9" (176mm) Spout Reach
- Single Hole Mount
- Can be used with 4" 3 Hole Lavs (Deck Plate Required)
- Optional Deck Plate, ML4RDP, Sold Separately
- Hot & Cold markers Included on Faucet Body

Components

- Stainless Steel Body and Handles
- Lead Free* Stainless Steel Waterways
- Water Saving Aerator
- Ceramic Disc Cartridge

Drain Type

Pop Up/Drain - Not included
 PPOP5050 - Push Style 50:50 Pop-up W/ Overflow (Optional)
 LUXPULO - Push Style All Brass Pop-up W/ Overflow (Optional)
 LUXPU4T - Push Style All Brass Pop-up W/O Overflow (Optional)

Standards & Certifications



Specified model meets or exceeds the following:

- EPA WaterSense
- ASME A112.18.1/CSA B125.1
- IAPMO/cUPC
- NSF/ANSI 372
- NSF/ANSI 61 – Sec. 9
- ADA*
- ≤ .25% Pb

Available Finishes

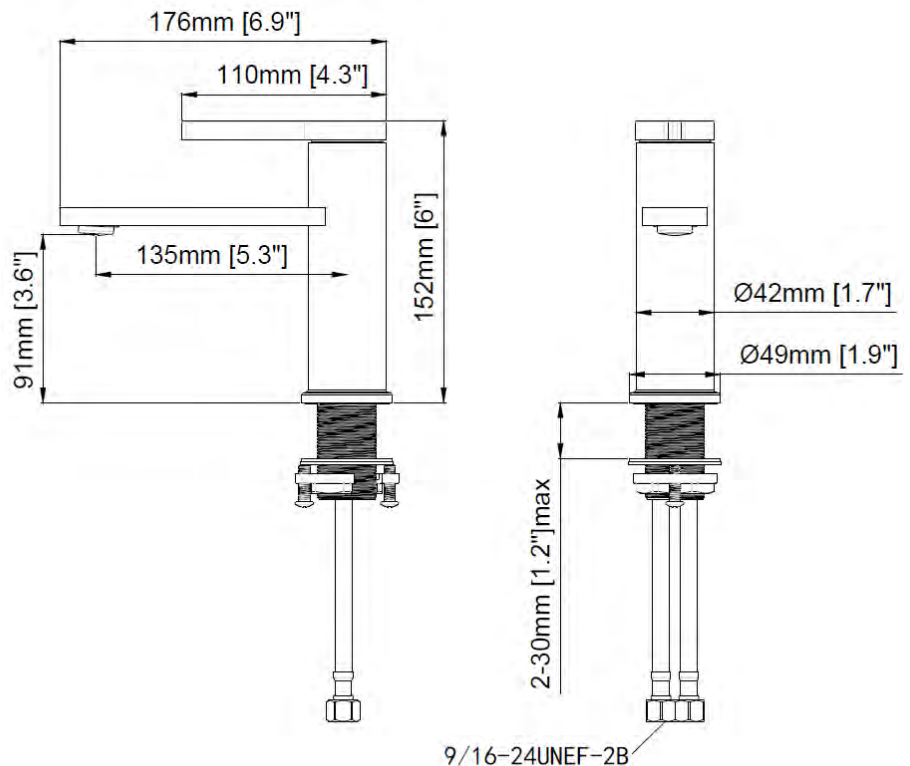
Polished Chrome CP	Brushed Nickel BN	Matte Black BLM	Brushed Bronze PBB
✓	✓	✓	

Mount Type

✓	✓	

Please visit www.mainlinecollection.ca for available finishes. Finish is defined by additional suffix.

Drawings



Mainline products have been manufactured under the highest standards of quality and workmanship. That is why we are able to offer a limited lifetime guarantee on the function and finish of our faucets.

SUBMITTAL INFORMATION

Name: _____ Contractor: _____
 Location: _____ Contact #: _____
 Notes: _____

Service & Parts

Please reach out to epleservice@emcoltd.com for support/ visit mainlinecollection.ca / CANADA +1 (450) 621 5636