

# Push Pop-up Drain With Overflow

Bonde de Lavabo poussoir avec trop-plein

Tapones de Desague Lavabo Valvula Pop-up

Product Specifications



**PPOP5050-CP**  
**PPOP5050-BN**  
**PPOP5050-BLM**

## FEATURES

- 100% Factory Pressure Tested

## CARACTÉRISTIQUES

- Pression vérifiée en usine- 100%

## CARACTERÍSTICAS

- Probado en fábrica bajo presión al 100%

## APPLICABLE STANDARDS/CODES

Specified model meets or exceeds the following:

## NORMES ET CODES APPLICABLES

Le modèle spécifié est conforme aux normes suivantes ou les dépasse:

## NORMAS Y ESTÁNDARES APLICABLES

El modelo especificado reúne o sobrepasa las siguientes condiciones

- ASME A112.18.1/CSA B125.1
- IAPMO/cUPC

## AVAILABLE FINISHES / FINIS OFFERTS / DISTINTOS ACABADOS:

- Polished Chrome / Chrome poli / Cromo lustrado (CP)
- PVD Brushed Nickel / PVD Nickel brossé / PVD Níquel cepillado (BN)
- Matte Black / Noir Mat / Negro Mate (BLM)



Contact your sales representative for more information or visit our website at [mainlinecollection.com](http://mainlinecollection.com)

# Push Pop-up Drain With Overflow

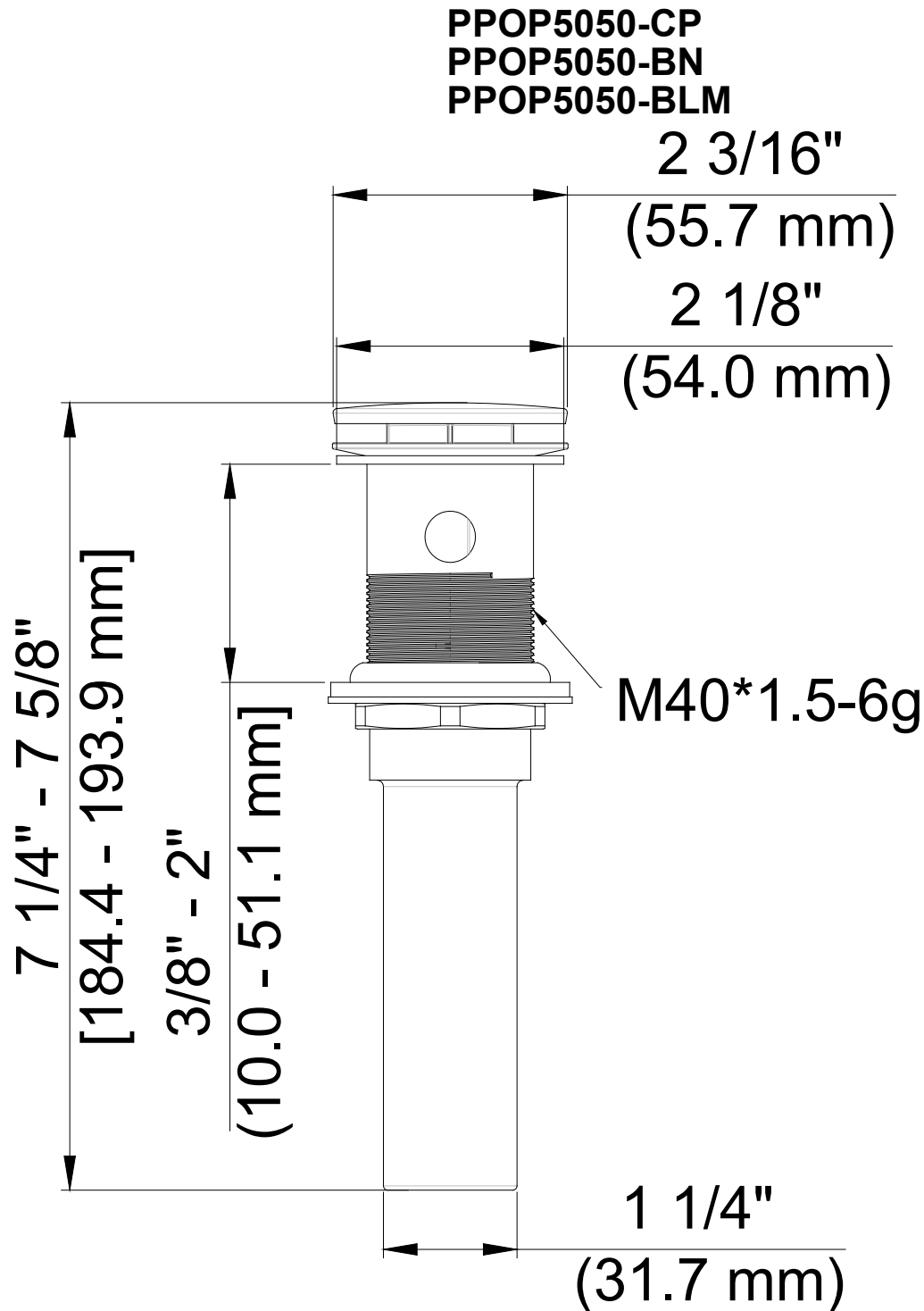
Bonde de Lavabo pousoir avec trop-plein

Tapones de Desague Lavabo Valvula Pop-up

Product Specifications



**MAINLINE**



Contact your sales representative for more information or visit our website at [mainlinecollection.com](http://mainlinecollection.com)

Revised 8/26/2021