

SPECIFICATIONS



Features

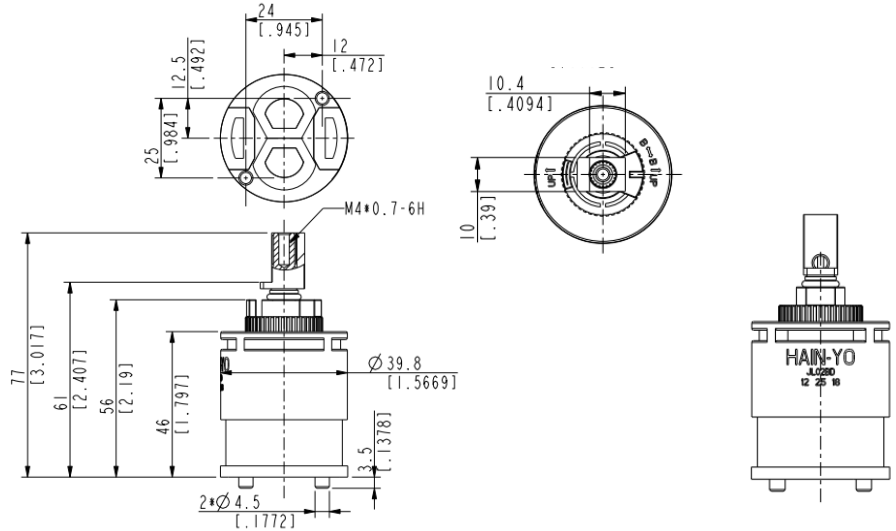
- For Use with M420, Mainline Pro-versa Tub & Shower Rough-in Valve
- **2 Way Diverter Cartridge (Non-Share)**
- Included with 611 Series Mainline Trims
- Available to Purchase
- Specified model meets or exceeds the following:
 - ASME A112.18.1/CSA B125.1
 - IAPMO/cUPC
- Limited Life-time warranty

Drawings

MAINLINE®
ProVersa
M420-CCR



Mainline products have been manufactured under the highest standards of quality and workmanship. That is why we offer "Limited Lifetime" warranty on the function and finish of our products.



SUBMITTAL INFORMATION

Name: _____ Contractor: _____
 Location: _____ Contact #: _____
 Notes: _____

Service & Parts

Please reach out to epleservice@emcoltd.com for support/ visit mainlinecollection.ca / CANADA +1 (450) 621 5636