




SPECIFICATIONS

Features

- 1/2" -14 NPSM Connection
- **Smart Select 3 Function Spray**
- Integral Check Valve
- Self Cleaning Rubber Jets
- Max Flow Rate: 1.75 GPM @ 60 PSI (6.6L/Min)
- 100% Factory Pressure Tested



MLR3FHS

Standards & Certifications				Available Finishes			
							
✓	✓			✓	✓	✓	✓

Specified model meets or exceeds the following:

- ASME A112.18.1/CSA B125.1
- IAPMO/cUPC
- EPA Watersense

AVAILABLE MODELS

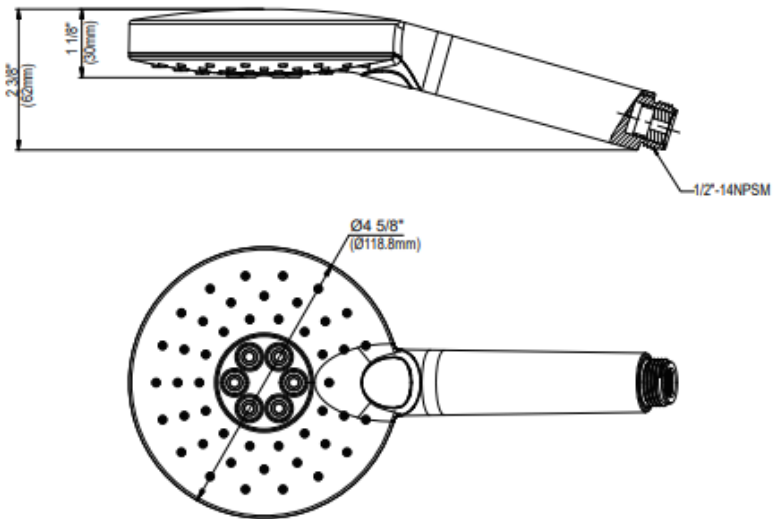
- MLR1FHS – Rondo Single Function Hand Shower
- MLR5FHS – Rondo 5 Function Hand Shower
- MLR7FHS – Rondo 7 Function Hand Shower

Mainline products have been manufactured under the highest standards of quality and workmanship. That is why we offer "Limited 5 Year" warranty on the function and finish of our Hand showers.



Please visit www.mainlinecollection.ca for available finishes. Finish is defined by additional suffix.

Drawings



SUBMITTAL INFORMATION

Name: _____ Contractor: _____
 Location: _____ Contact #: _____
 Notes: _____

Service & Parts

Please reach out to epleservice@emcoltd.com for support/ visit mainlinecollection.ca / CANADA +1 (450) 621 5636