



MAINLINE®

Preferred by the pros.™

Rough-in Valve Extension

SPECIFICATIONS

Features

- Add-on Components
- Pro Versa Rough-in Valve Extension



MRIV-EXT

NSF/ANSI 372
NSF/ANSI 61-9

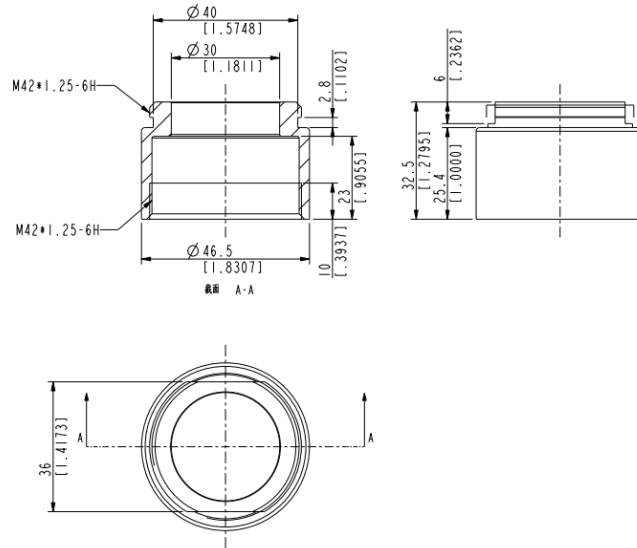


C®

Mainline products have been manufactured under the highest standards of quality and workmanship. That is why we offer "Limited Lifetime" warranty on this fitting if used with Mainline pro-versa rough-in valves.



Drawings



SUBMITTAL INFORMATION

Name: _____ Contractor: _____
 Location: _____ Contact #: _____
 Notes: _____

Service & Parts

Please reach out to epleservice@emcoltd.com for support/ visit mainlinecollection.ca / CANADA +1 (450) 621 5636