



Push Connect[®] Brass FIP Tees

Product Specifications

PRODUCT FEATURES

- Forged Lead Free* Brass
- Maximum Working Pressure: 200 PSI
- Maximum Temperature Rating: 200°F
- Compatible with Copper, CPVC, PEX & PE-RT
- Replaceable O-Ring Seal Design
- Removable and Reusable
- Push to Connect
- Full Flow
- Pre-Inserted Stiffener



APPROVED APPLICATIONS

- Plumbing
- Heating
- Irrigation
- Underground
- Hydronic Heating
- Behind Walls without Access Panel

NOTE: When using PEX, a tube stiffener should be inserted into the PEX tubing end prior to insertion into the fitting.

Push to connect fittings install in seconds, never requiring glue, crimping or soldering. Fittings connect COPPER, PEX and CPVC, PE-RT quickly and effortlessly, making quick work of every plumbing project, ensuring a permanent leak-free seal every time.

✓ To Submit	Part #	Size
	MLPFB412	1/2" x 1/2"
	MLPFB434	3/4" x 3/4"
	MLPFB401	1" x 1"

FORCES FOR MECHANICAL SEPARATION TEST

Nominal Size		Longitudinal (Pull) Test	
Inches	mm	Lbf	N
1/2	13	150	667
3/4	19	275	1223.2
1	25	475	2112.8



See warranty information for more details.

All dimensions listed are nominal. MAINLINE® reserves the right to make product and material changes at any time without notice.

Contact your sales representative for more information or visit our website at mainlinecollection.com

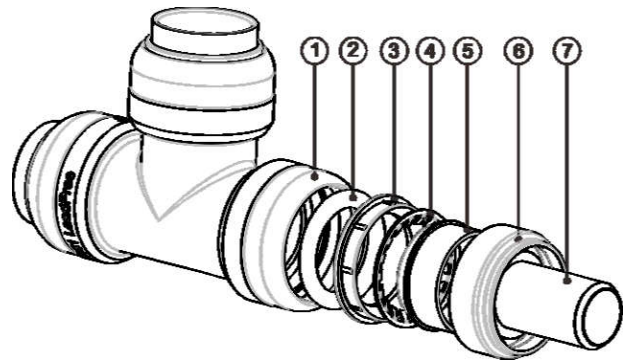
Push Connect® Brass FIP Tees

Product Specifications

Page 2 of 2

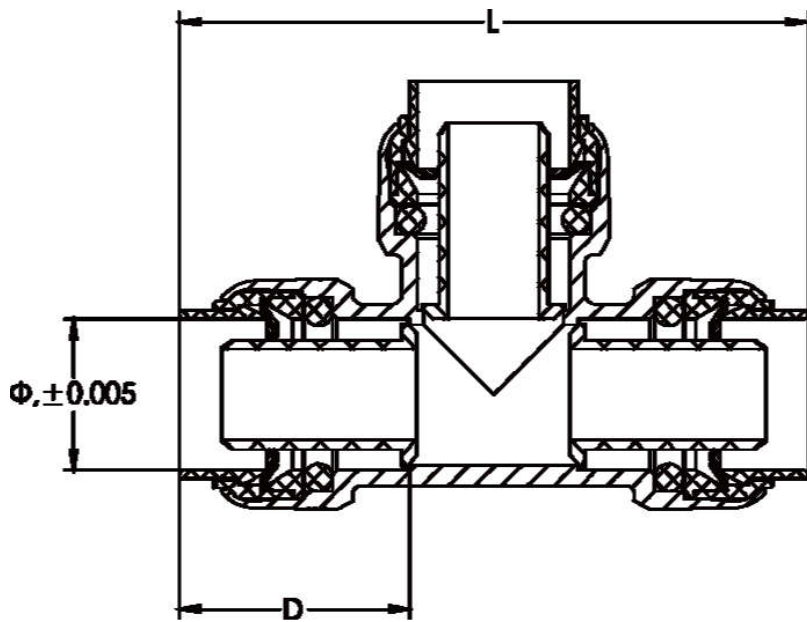
MATERIALS & SPECIFICATIONS

#	Component	Material (<= 1")
1	Body	Lead Free Brass
2	O-Ring Seal	EPDM70
3	Support Ring	PA66
4	Grip Ring	Stainless Steel
5	Push Ring	POM
6	Seat Ring	POM
7	Bushing	PSU



DIMENSIONS

#	Ø	D	L
MLPFB412	0.64	0.97	2.67
MLPFB434	0.88	1.11	3.16
MLPFB401	1.14	1.21	3.48



Contact your sales representative for more information or visit our website at mainlinecollection.com